



**Dksortho & Sharma
Pharmaceutical
Pvt. Ltd.**

KNEE SYSTEM

**Tibial Trays PS/ CR
(Cemented Fixed)**

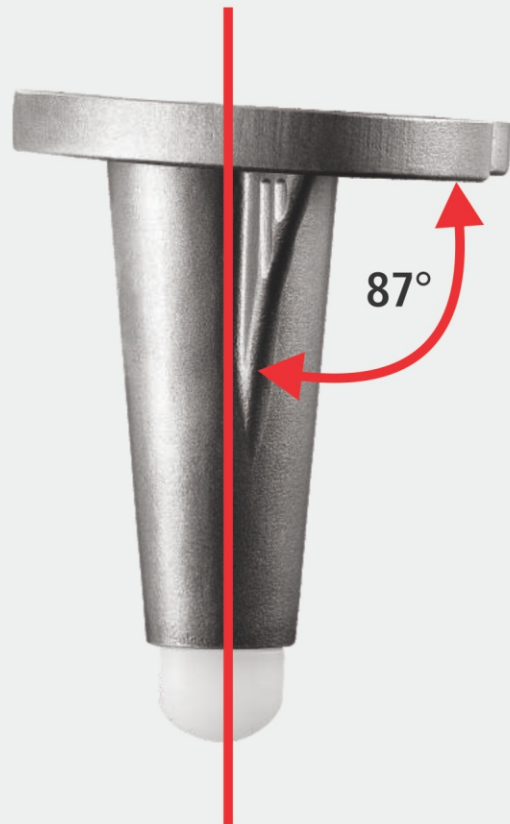


KNEE SYSTEM



**Dksortho & Sharma
Pharmaceutical
Pvt. Ltd.**

Tibial Trays PS/ CR (Cemented Fixed)



SIZE	MATERIAL
	CO.CR
1	S23.TKR0111-L
2	S23.TKR0112-L
3	S23.TKR0113-L
4	S23.TKR0114-L
5	S23.TKR0115-L
6	S23.TKR0116-L
7	S23.TKR0117-L
8	S23.TKR0118-L